



Buy it for looks. Buy it for life.®

Specifications

DESCRIPTION

- Metal construction with various finishes identified by suffix
- Designed to be installed on built-up decks or on finished surfaces up to 1-1/2" (38mm) thick.
- The tub fill spout is a slip fit design and the supplies are 1/2" copper tubing.

OPERATION

- Acrylic knob style handles
- Rotate either handle counterclockwise to open (clockwise to close).

FLOW

- Designed to deliver 18 gpm (68 L/min).

CARTRIDGE

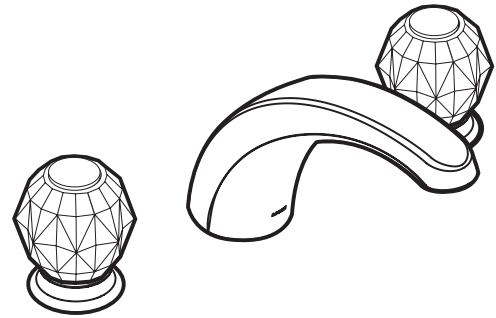
- Nonmetallic and stainless steel materials

STANDARDS

- Designed and manufactured to comply with the applicable requirements of: CSA B-125 and ASME A112.18.1M and all applicable requirements referenced therein

WARRANTY

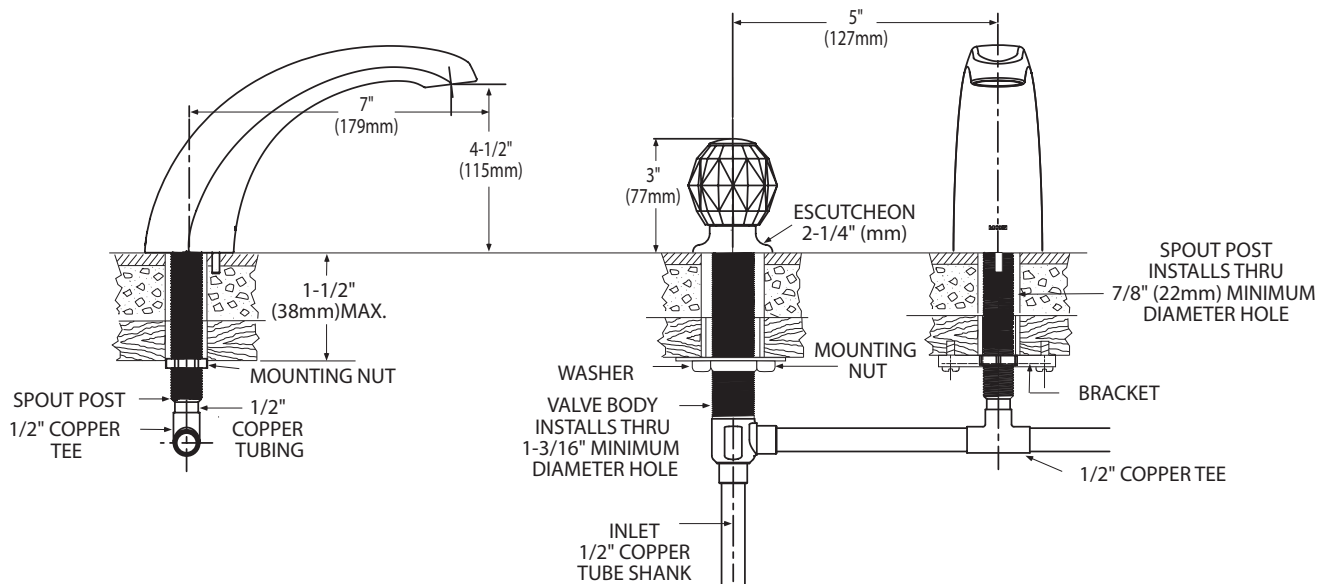
- Lifetime limited warranty against leaks, drips and finish defects to the original consumer purchaser
- 5 year warranty if used in commercial installations



CHATEAU® Two-Handle Garden Tub Valve and Trim

Model: 74942 series

Discontinued Model: 74943



NOTE: THE INSTALLATION SHOWN IS FOR TILE DECKS, THIS VALVE WILL ALSO FIT STEEL, CAST IRON OR PLASTIC DECKS

CRITICAL DIMENSIONS

(DO NOT SCALE)